



Dia.25mm , 30~11CFM

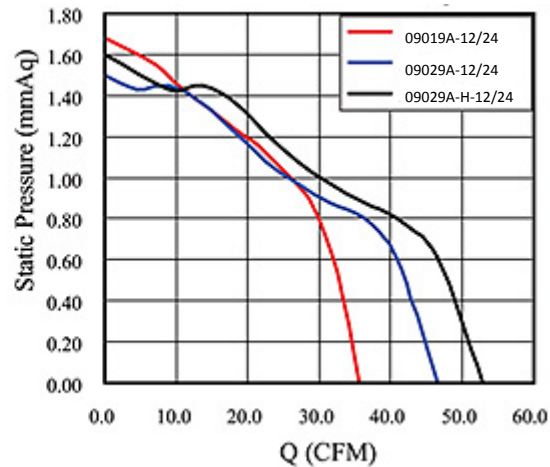
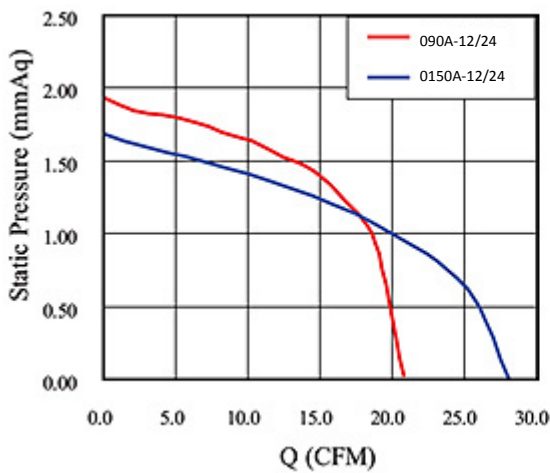
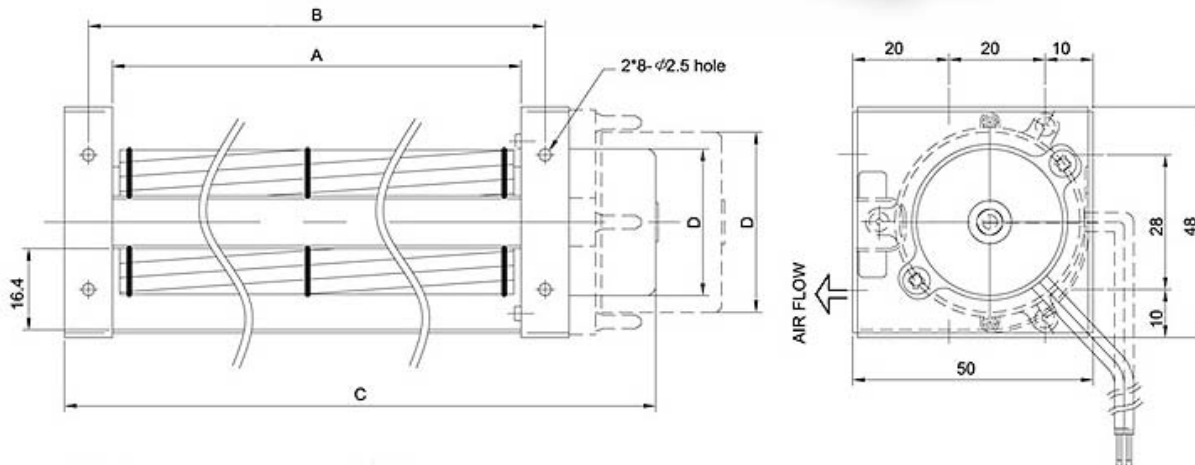
TDCF-030A General specifications



- Motor: External rotor, shaded pole, impedance protection
- Casing: Steel Plate housing & frame with black color cosmetics
- Impeller: Aluminum alloy fan blade with natural treatment cosmetics
- Rotation: CCW or CW viewed from side of motor shaft outlet for choice of R or L type
- Bearing System: Permanently lubricated ball bearings for motor and impeller bracket
- Operating Temp: Acceptable -25C~+65C. Storage -30C~+90C (65%RH)
- L10 Life: 35,000 hrs at 45C, 30,000 hrs at 55C.
- Dielectric Strength: Over 1 min. at 500VAC, 50/60Hz
- Insulation Resistance: Over 10 Mega Ohm at DC 500V,
- Connection: Wire leads connecting AWG22, 300~350mm, stripped ends 3~5mm
- Net Weight: See below
- UL File # E195890

Model No.	Rated Voltage	Dimensions AxBxCxD	Bearing	Weight (grams)	Rated Current	Referenced Speed	Max. Airflow	Max.Static Pressure		Noise
	VDC	mm						mmAq	CE UL	
TDCF-03009A-H-12	12	98x108x134x31	S/B	180	0.15	3200	22	0.6	X X	29
TDCF-03009A-H-24	24	98x108x134x31	S/B	180	0.18	3200	22	0.6	X X	29
TDCF-03015A-H-12	12	160x170x196x31	S/B	210	0.16	3100	28	0.8	X X	30
TDCF-03015A-H-24	24	160x170x196x31	S/B	210	0.15	3100	28	0.8	X X	30
TDCF-03019A-H-12	12	198x208x234x31	S/B	230	0.20	2900	35	1.0	X X	31
TDCF-03019A-H-24	24	198x208x234x31	S/B	230	0.16	2900	35	1.0	X	31
TDCF-03029A-L-12	12	300x310x336x31	S/B	290	0.22	2600	46	1.3	X X	33
TDCF-03029A-L-24	24	300x310x336x31	S/B	290	0.20	2600	46	1.3	X	33
TDCF-03029A-H-12	12	300x310x345x38	S/B	300	0.28	2800	53	1.5	X	52
TDCF-03029A-H-24	24	300x310x345x38	S/B	300	0.15	2800	53	1.5	X	52

Fan Performance Curves and Dimensions



* TEI reserves the right to change data and specs without notice* Tests are at nominal rated voltage against zero static pressure*Specifications subject to change without notice, data tolerance +-10%